

Dongguan GongFu Electronic Co. Ltd. GFEFUSE Focus on safety fuse holder

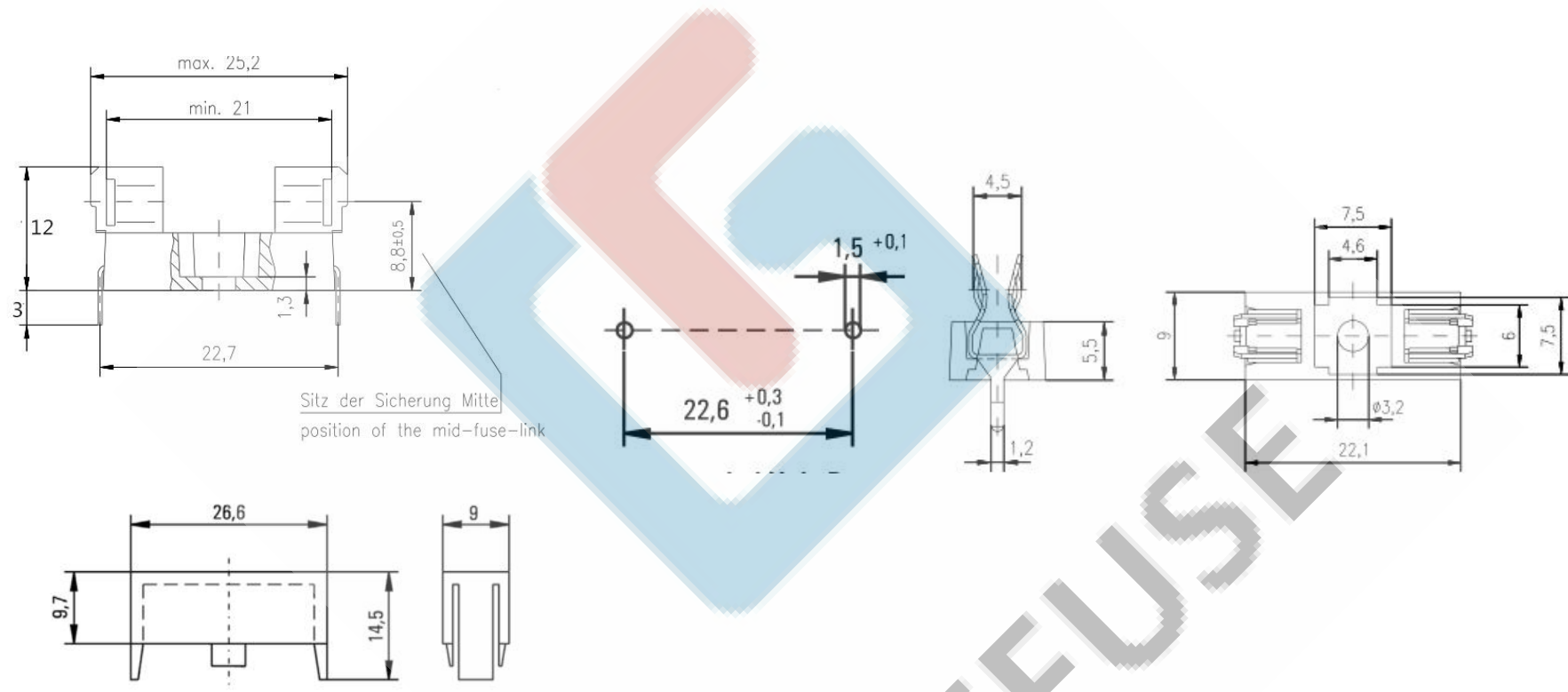
TEL:0769-82391938

81100206

FAX:0769-82391939

<http://www.gfefuse.com>

A:Mec a ca d a f d c



IATF 16949:2016 Quality System Certification Enterprise

UL CE CQC TUV REACH ROHS Product international quality safety certification

Dongguan GongFu Electronic Co. Ltd. GFEFUSE Focus on safety fuse holder

TEL:0769-82391938

81100206

FAX:0769-82391939

http://www.gfefuse.com

B:De a ed de c f e d c

1.Product model: PTF/15/15S/10(GFEFUSE)

2.rated current: 10A/6.3A 1.6w

**3.rated voltage: 250V(AC)UL CUL TUV CE CQC
(1000VDC)UL CUL**

4. split current: 50A

5. Fuse size: 5.2x20mm

6.Base: Black PA66 (UL-94V0)

Protective cover: transparent PC(UL-94V2)

7.terminal: 0.4mm (phosphor)

8.withstand voltage: 3000VAC

9.contact resistance:

10.insulation resistance: >100MΩ

11.Product safety certification:TUV CE CQC UL CUL

C:Packaging requirements

A: pedestal 500PCS/ bag

B: transparent protection cover 500PCS/ bag

C:5000pcs/ box

Note: Product changes are not notified

IATF 16949:2016Quality System Certification Enterprise

UL CE CQC TUV REACH ROHS Product international quality safety certification