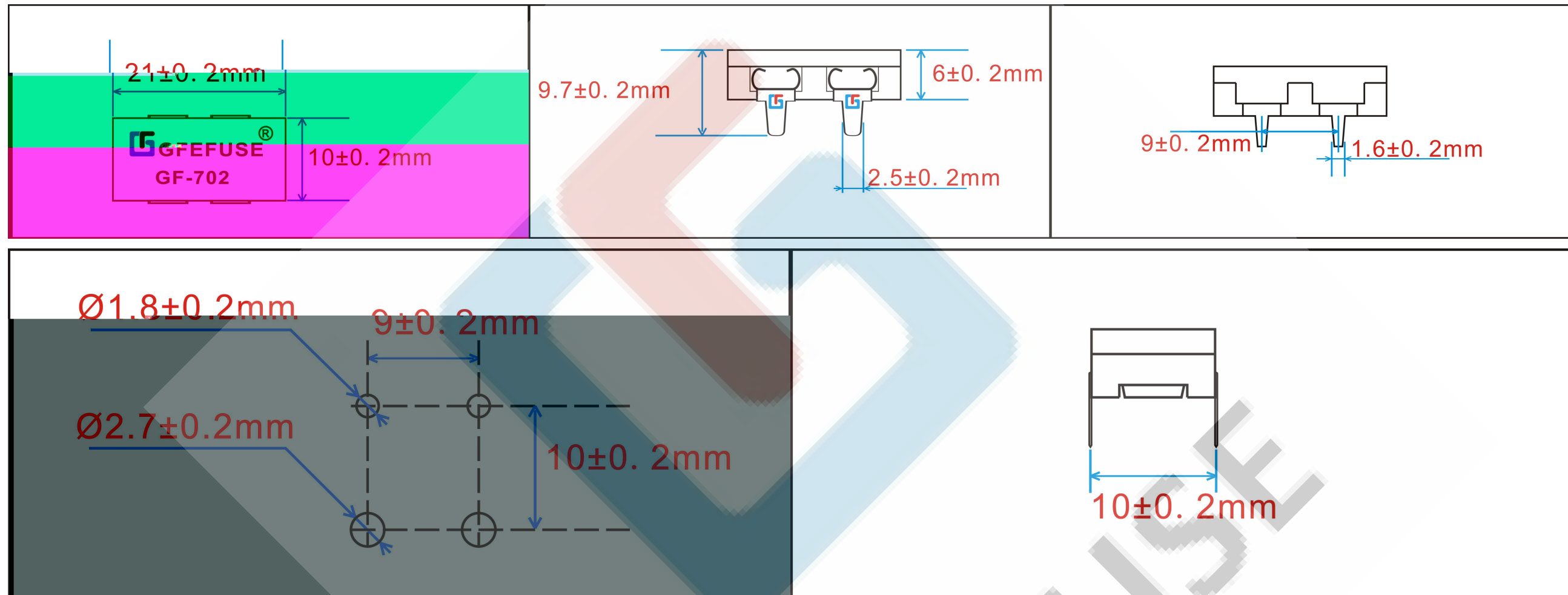


(GF-702 car insert fuse holder (horizontal medium car insert fuse holder))

1. Product size installation diagram



2. Product introduction

1. material: Contacts--brass, T=0.3mm; Base: PBT UL-94V0
 2. terminal finish: Tin plated;
 3. Practical: Medium size automobile insert fuse (GFEFUSE® GF-B series automobile insert fuse medium size)
 4. Suitable rated current: 30A@500VAC.
 5. Insertion and extraction force: 1Kg Min.
 6. Dielectric Strength: Min.AC1000V.
 7. Contact Resistance: Max 50mΩ
 8. temperature rise: 130° Max.
 9. Insulation Resistance At 500V DC: 100mΩ
 10. Welding temperature: 260 °C 3 seconds
- Attention: Product size changes are not notified